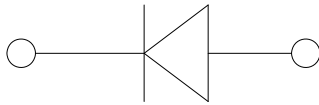
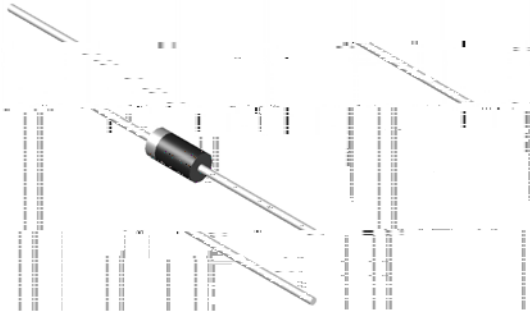




Fast Recovery Rectifier



Features

- High efficiency
- High current capability
- High reliability
- High surge current capability
- Low power loss
- Glass passivated chip junction
- Solder dip 275 °C max per > ESD 22-B106

Mechanical Data

- Package: DO-204AL(DO-41)
- Molding compound meets UL - 4 V-0 flammability rating &
- RoHS-compliant
- Terminals: Tin plated leads & solderable per > -STD-002 and > ESD22-B102
- Polarity: Color band denotes cathode end

Maximum Ratings (Ta 125 °C)

PARAMETER	SYMBOL	UNIT	FR101G	FR102G	FR103G	FR104G	FR105G	FR106G	FR107G
Maximum RMS Voltage	V _{RMS}	V	35	70	140	280	420	560	700
Maximum DC blocking Voltage	V _{DC}	V	50	100	200	400	600	800	1000
Average Forward Current 460Hz sine wave & Resistance load & Ta 125 °C	I _F	A	1.0	1.0	1.0	1.0	1.0	1.0	1.0
Peak Forward Current (Pulse width limited by SOA)	I _{FM}	A	1.1	1.1	1.1	1.1	1.1	1.1	1.1
Peak Reverse Current (Pulse width limited by SOA)	I _{RM}	A	0.1	0.1	0.1	0.1	0.1	0.1	0.1
Surge Current (Pulse width limited by SOA)	I _{SM}	A	10	10	10	10	10	10	10
Power Dissipation (Pulse width limited by SOA)	P _D	W	0.5	0.5	0.5	0.5	0.5	0.5	0.5
Reverse Recovery Time (Pulse width limited by SOA)	t _{rr}	ns	75	75	75	75	75	75	75
Forward Voltage Drop (Pulse width limited by SOA)	V _F	V	1.1	1.1	1.1	1.1	1.1	1.1	1.1
Reverse Leakage Current (Pulse width limited by SOA)	I _R	A	0.1	0.1	0.1	0.1	0.1	0.1	0.1

Electrical Characteristics (Ta 125 °C)

PARAMETER	SYMBOL	UNIT	TEST CONDITIONS	FR101G	FR102G	FR103G	FR104G	FR105G	FR106G	FR107G
Maximum instantaneous forward voltage drop per diode	V _F	V	I _{FM} 1.10A	1.3						
Maximum DC reverse current at rated DC blocking voltage per diode	I _R	A	T 125 °C							
			7M -							
Forward Voltage Drop	V _F	V	I _F 1.0A							

% # (.

)5 * 7+58)5 *

v7KHUPDO &KDUDÄ7WHUL800LHV V RWKHUÄLVH VSHFLILHG

3\$5\$0(7(5	6<0%2,	81,7)5 *)5 *)5 *)5 *)5 *)5 *
7\SLFDO 7KHUPDO	5H\LYW	DQF:H						

v2UGHULQJ ,QIR(ÜBÜQRQ

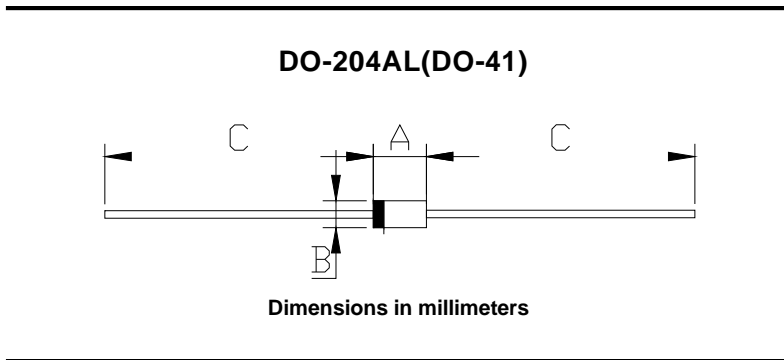
35()(5(' 3 1	3\$&.\$*(&2'()	81,7 :(*+7	0,1,080 3\$&.\$*(SF	,11(5 %2; 48\$17,7< SF	287(5 &\$572 48\$17,7< S	'(/,9(5< 02'()
)5 *a)5 *	'	\$SSUR[LPDWH				7DSH

)5 *a)5 *



FR101G THRU FR107G

Outline Dimensions



DO-204AL(DO-41)		
Dim	Min	Max
A	4.22	5.21
B	2.03	2.72
C	25.4	/
D	0.6 -	0.86



FR101G THRU FR107G

Disclaimer

(# (.

G! 5 \$ + & MU b [n \ c i ' MU b [W]HY W \ b W h f c m]7 c " ž k @ h k X " & % m U b [^]
F Y j " ' & " ' ž " \$! > U b ! ' & % ' .